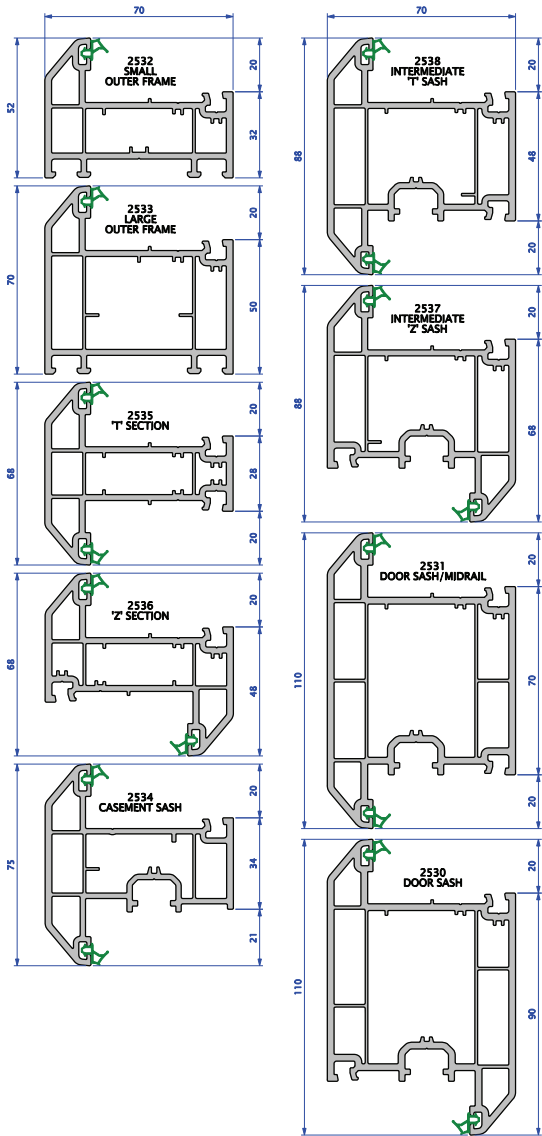
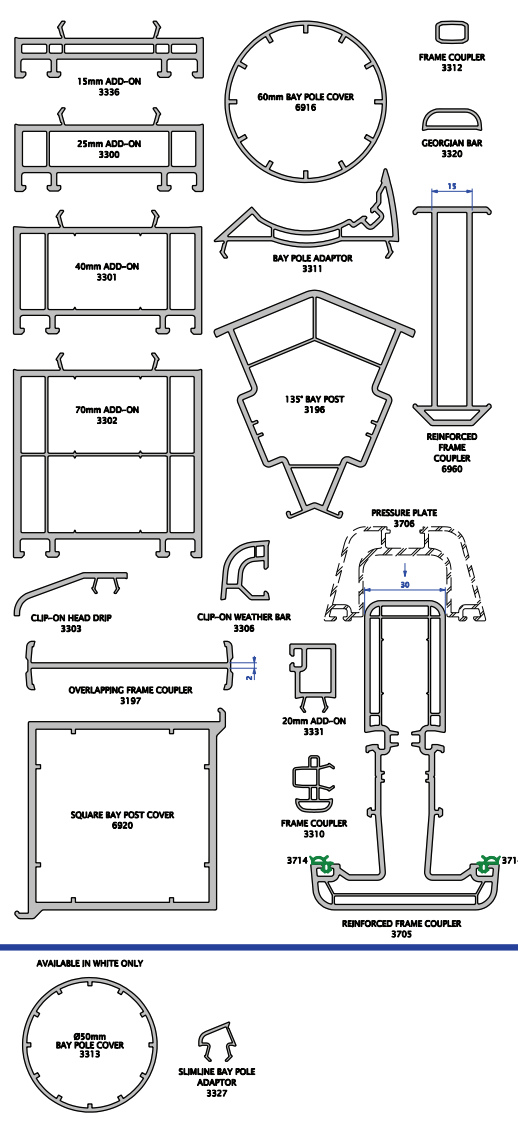


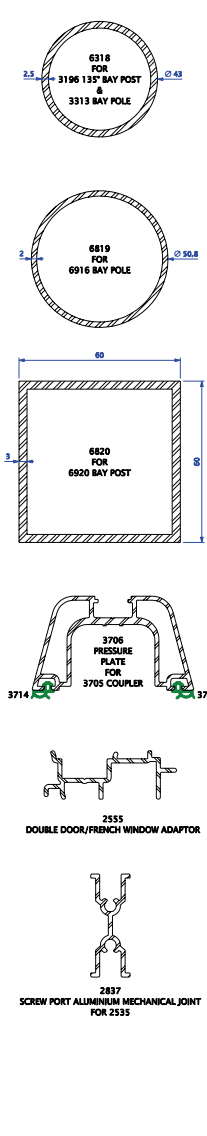
## Main Frame



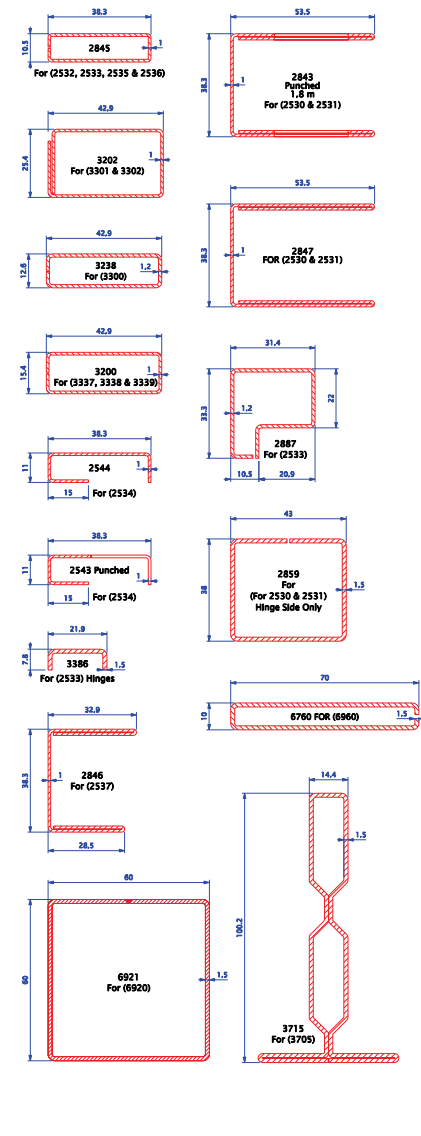
## Ancillaries



## Aluminium Sections

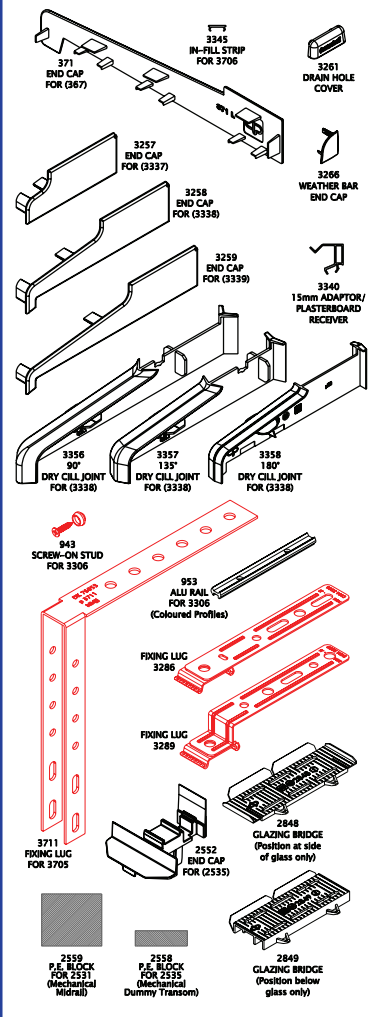


## Steel Reinforcing

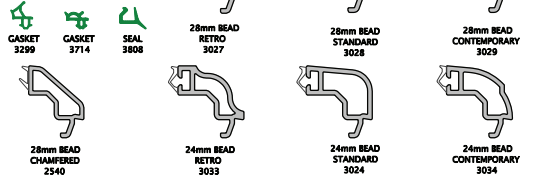


## 2500 chamfered

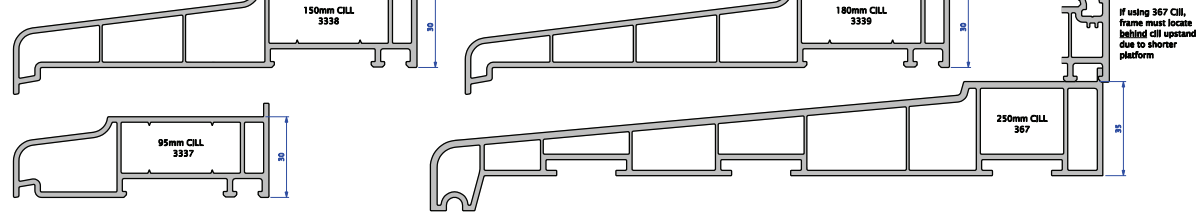
### Injection Mouldings & Remaining Ancillaries (1:2)



## Glazing Bead, Gaskets & Seals



## Cills



## Low Threshold (1:2)

